



 **ARIZONA VORTEX**
COMPRESSED AIR COOLING SOLUTIONS

PROUDLY PRESENTED BY:

EPIK

866-928-5167

7081 STATE ROUTE 95

FREDERICKTOWN, OH 43019

WWW.EPIKLTD.COM



 **ARIZONA VORTEX**
An American Made & Supported Solution

COOL TOOL

SPOT COOLING COLD AIR GUN

FOR MACHINING AND INDUSTRIAL PROCESSES

STAINLESS STEEL CONSTRUCTION FOR RIGOROUS, EVERYDAY USE

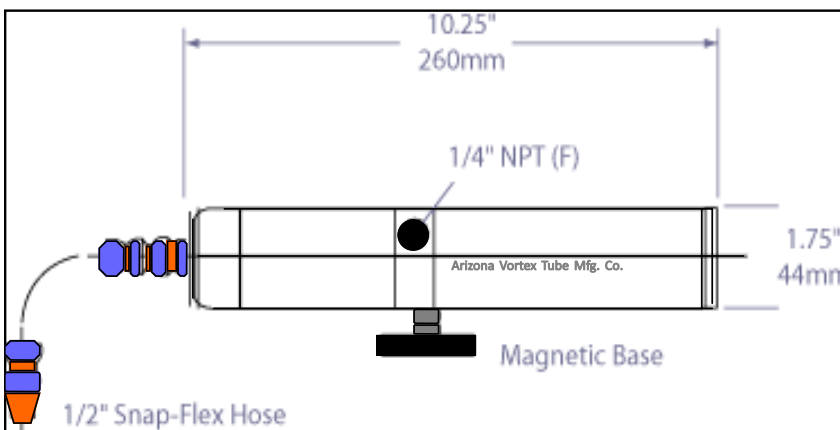
The Arizona Vortex Cool Tool is a packaged Vortex Tube that is portable, ready to use cold air source. It is designed to improve machining operations and improve the life of tools and tool bits.

The complete Cool Tool System (\$272) includes: vortex, magnetic base, and filter. Optionally the system can be purchased without the filter (\$204).

It produces an air stream that will be 70 degrees F colder than the temperature of your compressed air source. It is portable, using the magnetic base, the Cool Tool can be moved from one machine to another. Simply aim the nozzle at your work piece and go to work.

The Arizona Vortex Cool Tool is a dry cooling solution that will eliminate the need for mist, mess, and expensive liquid coolants. It will improve tool life, finish, tolerances, and the overall production of your operation.

The Cool Tool is made of stainless steel and is designed to meet the rigors of everyday manufacturing demands.



USE TO COOL

- GRINDING OPERATIONS
- TAPPINGS
- ROUTERS
- DRILLING
- SHARPENING TOOLS
- MILLING
- BAND SAWS
- MACHINING PLASTICS



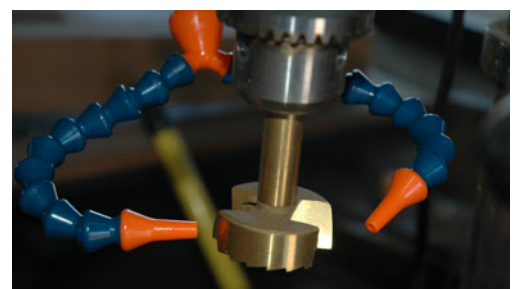
Complete Cool tool System

FEATURES

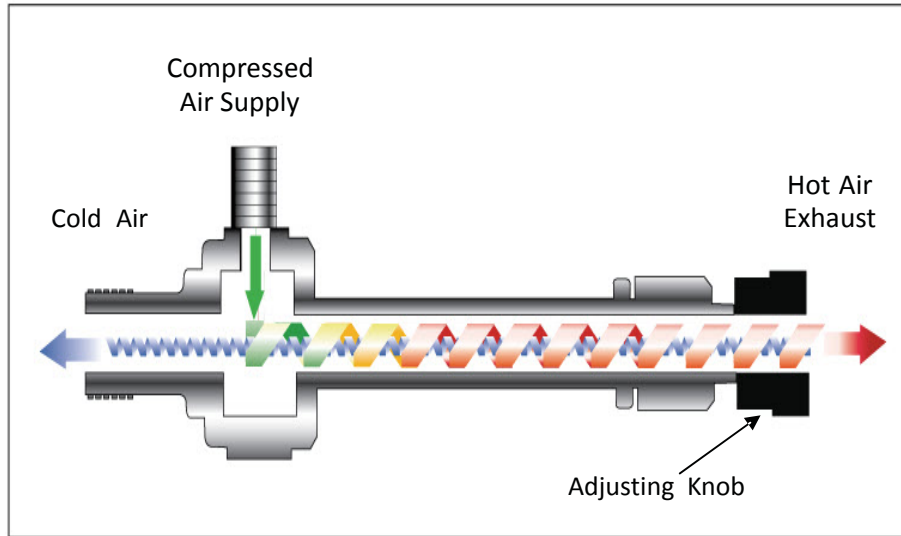
- Compact
- Magnetic Base
- Portable
- Stainless Steel Construction

BENEFITS

- Finished Part is Dry
- Improve Tool Life
- No Moving Parts
- Maintenance Free
- Quiet
- Low-Cost
- No Messy Liquid Coolant
- Instant On/Off
- Improve Cutting Speeds
- Increase Machining Speeds
- Minimize Heat Build-Up
- Reduce Wheel Loading
- Speed Production
- Better Part Finish



VORTEX TUBE TECHNOLOGY



An Arizona Vortex Tube is a device with no moving parts that will convert an ordinary stream of compressed air into two streams—one hot and one cold. A Vortex Tube can produce cold air down to -50 degree F and hot air up to 260 degree F.

Compressed air is injected circumferentially into the tube at sonic speed and creates a cyclone (Vortex) spinning at a million revolutions per minute. Part of the air is forced to spin inward to the center hole and travels up the long tube where a valve turns the spinning column (Vortex) of air inside itself. The inside column or Vortex of air gives up its heat to the outside vortex or column. The cold air is directed out the cold end of the the Vortex Tube and the hot air is exhausted out of the other end of the Vortex Tube. The temperature and air flow is totally controllable with the adjusting knob.

COLD FRACTION	20%	30%	40%	50%	60%	70%	80%
	F°	F°	F°	F°	F°	F°	F°
20 PSIG	63.1	61.3	56.1	51.3	44.5	37	28.8
	15.1	24.4	37.8	51.3	65.1	82.5	108.1
40 PSIG	89.2	85.8	81.1	73.2	63.1	52.5	39.1
	23.4	35.2	52.1	73.2	92.8	116.9	148.1
60 PSIG	104.3	101.7	93.7	84.1	73.5	60.9	45.4
	25.6	39.9	59.1	84.1	104.1	133.1	169.1
80 PSIG	117.1	111.2	102.3	92.2	81.3	66.2	50.1
	26.1	44.1	64.1	92.2	114.1	144.3	181.1
100 PSIG	128.3	119.5	111.1	100.3	86.5	71.9	53.5
	27.8	46.1	67.3	100.3	119.9	151.1	192.1



USES

- Cool Machining Operations
- Cool Electrical Cabinets
- Cool Mold Tooling
- Cool Sewing Needles
- Cool Hot Operations
- Cool Workers
- Test Thermostats
- Cool CCTV Cameras
- Set Hot Glue Operations

FEATURES

- Reliable - No Moving Parts
- Maintenance Free
- Stainless Steel Construction
- No Electricity
- No freon
- Instant On - Controllable
- Compact and Light Weight
- Low Cost

BENEFITS

- Spot Cool
- Cool Gas Samples
- Cool Parts
- Cool Heat Sealing
- Cool Molds and Dies
- Cool Processes

ARIZONA VORTEX

About

Arizona Vortex Tube Manufacturing Company is a family owned/operated company dedicated to solving air cooled manufacturing and industrial needs. Manufacturing since 1999 in Wickenburg, AZ, Arizona Vortex has over 30 years experience in vortex tube and air amplification products.

Whether you want to **cool** an electrical cabinet, **convey** material with air, **create** an air curtain, or **cool** a drill bit, we are here to help. Our products will help you lower your costs, **think green**, and improve your productivity.

Product Lines Manufactured

- Vortex Tubes
- CNC Coolers
- Cool Tools
- Air Nozzles/Jets
- Air Curtains/Amplifiers
- Drum Pumps
- Vacuum/Blast Guns

All Arizona Vortex products operate off of compressed air or other compressible gases.

No Mess, No Electricity, No Maintenance.

Guarantee and Warranty

Arizona Vortex Tube Manufacturing Company Absolutely Guarantees its catalogued products for 30 days. If you are not completely satisfied for any reason within that time, please return the product for a full credit with NO restocking fee! This is in addition to our 5 year warranty!

Arizona Vortex Tube Mfg. Co gives a **5 Year Warranty** against defects in workmanship and materials on all compressed air products from the date of purchase. Defective products must be returned freight paid for repair or replacement at our option. This warranty applies under conditions of normal use, but does not apply to defects that result from intentional damage, negligence, unreasonable use or exposure.

To Learn More or Place Your Order
CALL 866-928-5167 TODAY!!!