

Flex arm™

Tapping & Assembly
Arm Solutions

**Maximum Motor Torque from:
7 to 800 Ft. Lbs. (9.5 to 1085 Nm)**



CVA-10



A-32



M-60



G-60

30-Day Free Trial on All Models



Contact the FLEXARM specialists at:
800-837-2503 fax: 419-738-8140
WWW.FLEXARMINC.COM
email: flexarm@flexarminc.com

851 Industrial Drive Wapakoneta OH 45895-9239

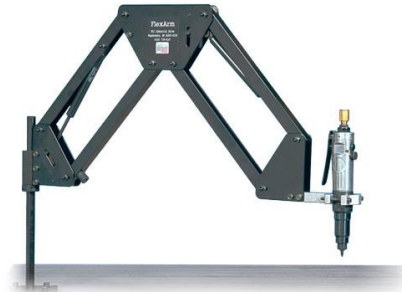


Maximum Motor Torque:

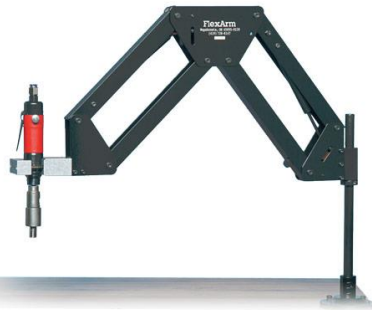
7 to 30 Ft. Lbs. (9.5 to 40.7 Nm)



OCVA-24



FAV-14



FAV-14-20



CVA-20

FlexArm Light Duty Assemblers can withstand motor torque up to 30 foot pounds (40.7 Nm).

A swivel attachment can be added to the motor mount for use at various angles.

FlexArm Light Duty Assemblers come complete, ready to mount and include: arm, adjustable motor mount (holds 1" - 2" [25.4 – 50.8mm] diameter tool) and an 18" adjustable post assembly.

TOOL WEIGHT REQUIRED ON ALL ORDERS

Part Number	Max. Motor Torque		Working Range		Max. Tool Weight	
	Lbs.	Kg.	In.	Cm.	Lbs.	Kg.
OCVA-24	7	9.5	13 - 36	33 - 91	7	3.2
CVA-10	10	13.6	8 - 28	20 - 71	10	4.5
FAV-14	10	13.6	19 - 37	48 - 94	10	4.5
FAV-18	10	13.6	21 - 46	53 - 117	10	4.5
FAV-24	10	13.6	30 - 57	76 - 145	10	4.5
CVA-20	20	27.1	8 - 28	20 - 71	12	5.4
FAV-14-20	20	27.1	19 - 37	48 - 94	15	6.8
CVA-30	30	40.7	8 - 28	20 - 71	12	5.4
FAV-14-30	30	40.7	19 - 37	48 - 94	15	6.8

30-Day Free Trial on All Models

Maximum Motor Torque:

50 to 800 Ft. Lbs. (68 to 1085 Nm)



A-32



S-36



B-19



RNR-20

Torque Reaction FlexArms come complete, ready to mount and include arm and table mount. A-32, S-36 and M-60 units also include an adjustable motor mount (holds 1" - 2" [25.4 – 50.8mm] diameter tool) and multi-position tool mounts are available for an additional charge.

TOOL WEIGHT REQUIRED ON ALL ORDERS

Part Number	Max. Motor Torque		Working Range		Max. Tool Weight	
	Lbs.	Kg.	In.	Cm.	Lbs.	Kg.
A-32	50	68	11 - 34	28 - 86	12	5.4
OCVA-M-60	50	68	19 - 43	48 - 109	12	4.5
S-36	80	109	14 - 51	36 - 130	25	11.3
M-60	80	109	22 - 76	56 - 193	14	6.4
B-19	100	136	1 - 42	3 - 107	35	15.9
RNR-20	120	163	15 - 72	38 - 183	50	22.7
G-30	150	204	20 - 76	51 - 193	50	22.7
G-36	400	542	20 - 78	51 - 198	50	22.7
G-60	800	1085	20 - 84	51 - 213	60	27.2

30-Day Free Trial on All Models

Mounting Options:



Multi-Position Mount



Gimbal



Pistol Grip



Swivel Mount



Pedestal



Table

Options and Accessories	P/N
Multi-head for model CVA-20 & 30, FAV-14-20 & 30, S-36, M-60	FX900245
Multi-head for model CVA-10, FAV-14, FAV-18, FAV-24	FX900246
Gimbal Swivel, 1" - 4"OD, 20 lb. tool capacity	FX900247
Pistol Grip Mount	SA-ASM
Swivel Mount – Inline Pneumatic Tools	ISA-ASY
Pedestal Mount	FX900030
Pedestal Mount – Adjustable (range 30"–50")	FX900032
STEEL CART with 1/2" ground steel top, 1000# capacity	FX900023
TABLES with 3/4" ground steel top, 2000# capacity	
24"W x 48"L x 36"H	FX900020
24"W x 60"L x 36"H	FX900021
30"W x 48"L x 36"H - with coolant trough	FX900022
24"W x 48"L x 36"H - with wheels, 2 rigid, 2 swivel	FX900028
24"W x 60"L x 36"H - with wheels, 2 rigid, 2 swivel	FX900029

CALL US TOLL FREE: 1-800-837-2503

email: flexarm@flexarminc.com

851 Industrial Drive

Wapakoneta OH 45895-9239

REV.000