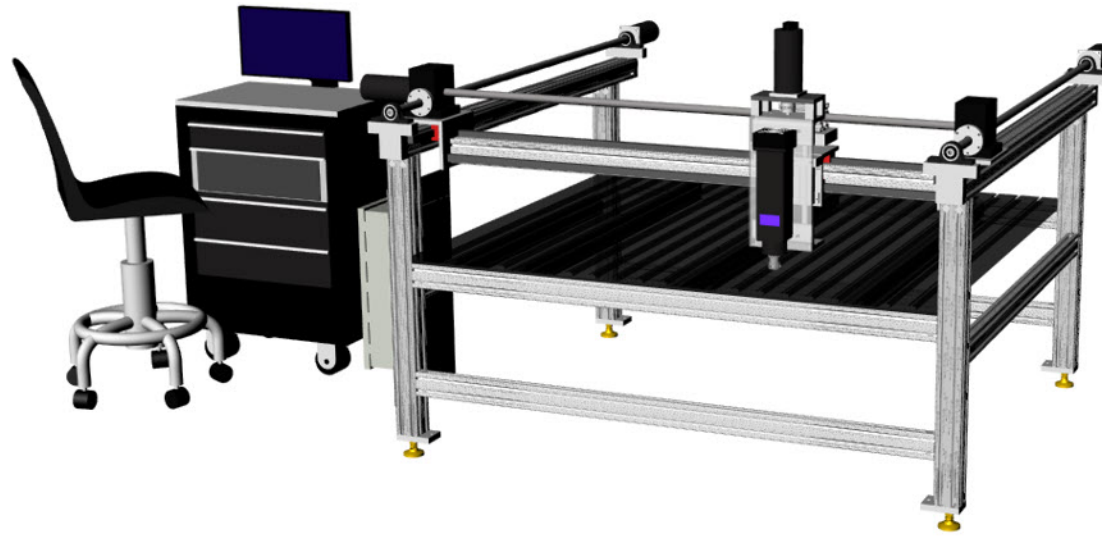


RAPTORCNC 3RD GENERATION

RaptorCNC



CNC Platform (VersaLite)

(Actual Movements)

VL444: 4'X4'+4" \$40,000

VL555: 5'X5'+5" \$45,000

VL484: 4'X8'+4" \$50,000

VL5105: 5'X10'+5" \$55,000

484 & 51015 Platforms
Can be Setup for Multi-Application
110/220VAC Input

VersaPro Option +\$5000

(Anytime Electronic Upgrade)

- Touchscreen Interface
- Solid Model Tool Animation
- Multimedia CAD/CAM Included
- Customizable Shape Library

Router • Spindle • Oxy-Acetylene • Plasma • Custom
Standardized Applied Mechatronic Technology Solutions

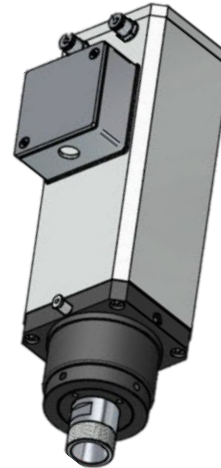
ROUTER



3.25HP Porter Cable
Production Router
Application Tool Package
\$1850

| Rotary Cutting Work Surfaces | | | | |
|------------------------------|---------------------------|--------|--------|--------|
| | 444 | 555 | 484 | 51015 |
| Assembled | \$2000 | \$2250 | \$3500 | \$4000 |
| DIY-4-ROI | \$500 | \$500 | \$500 | \$500 |
| Vacuum | All Systems Custom Quoted | | | |

SPINDLE



TMP3E 3HP
Production Spindle
Application Tool Package
\$5995 3-Phase/\$6250 1 Phase

| Rotary Cutting Work Surfaces | | | | |
|------------------------------|---------------------------|--------|--------|--------|
| | 444 | 555 | 484 | 51015 |
| Assembled | \$2000 | \$2250 | \$3500 | \$4000 |
| DIY-4-ROI | \$500 | \$500 | \$500 | \$500 |
| Vacuum | All Systems Custom Quoted | | | |

OXY-ACETYLENE



Oxy-Acetylene Application Tool Package
\$5500
w/ Ultra Sonic Torch Height Control
\$7500

| Plasma/Oxy Fuel Cutting Work Surface Options | | | | |
|--|--------|--------|--------|--------|
| | 444 | 555 | 484 | 51015 |
| Assembled | \$3750 | \$4250 | \$7500 | \$8500 |
| DIY-4-ROI | \$550 | \$650 | \$850 | \$950 |

*Depending on material thickness/weight, may use plasma cutting surface
**Work surfaces may require modification depending on application

PLASMA



Hypertherm Powermax 85
Application Tool Package
w/ Torch Height Control
\$8500 1/3 Phase

| Plasma Cutting Pan Work Surface Options | | | | |
|---|--------|--------|--------|--------|
| | 444 | 555 | 484 | 51015 |
| Assembled | \$3500 | \$4000 | \$7000 | \$8000 |
| DIY-4-ROI | \$550 | \$650 | \$850 | \$950 |

*Includes low set slats for near-submerged cutting capabilities
**Work surfaces may require modification depending on application

EPIK
866-928-5167
tyler@epikltd.com



7081 State Route 95
Fredericktown, OH 43019
www.epikltd.com